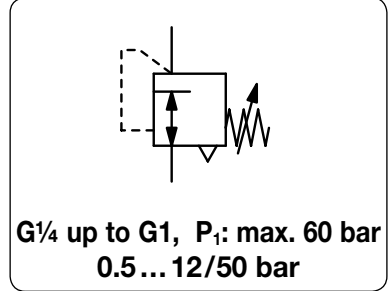


Description	Piston-operated pressure regulator of solid design, completely made of brass. For inlet pressure up to 60 bar.		
Media	compressed air, non-corrosive gases or liquids		
Supply pressure	max. 60 bar, for liquids $\Delta p_{max.} = 25$ bar		
Adjustment	by handwheel, T-handle or hexagonal spindle, with locknut		
Relieving function	relieving, optionally non-relieving		
Gauge port	G $\frac{1}{4}$ on both sides of the body, one screw plug supplied		
Mounting position	any	Inlet filter	stainless steel, 500 μ m
Temperature range	-10 °C to 90 °C / 14 °F to 194 °F		
Material	Body: brass Elastomer: NBR/Buna-N	Intermediate ring: brass at G $\frac{1}{4}$, anodized aluminium at G1 Inner valve: brass	



Dimensions			Pressure adjustment	K $_v$ -value	Flow rate	Connection thread	Pressure range	Order number
A	B	C	mit	(m 3 /h)	m 3 /h*1	G	bar	

Brass pressure regulator								supply pressure max. 60 bar, for compressed air relieving, without pressure gauge	R286
72	164	31	handwheel	1.3	120	2000	G $\frac{1}{4}$	0.5 ... 12	R286-02C
			hexagonal spindle					1.0 ... 20	R286-02E
								2.0 ... 35	R286-02F
								3.0 ... 50	R286-02G
72	164	31	handwheel	1.6	150	2500	G $\frac{3}{8}$	0.5 ... 12	R286-03C
			hexagonal spindle					1.0 ... 20	R286-03E
								2.0 ... 35	R286-03F
								3.0 ... 50	R286-03G
72	156	35	handwheel	2.3	216	3500	G $\frac{1}{2}$	0.5 ... 12	R286-04C
			hexagonal spindle					1.0 ... 20	R286-04E
								2.0 ... 35	R286-04F
								3.0 ... 50	R286-04G
118	257	51	handwheel	3.2	300	5000	G1	0.5 ... 12	R286-08C
			hexagonal spindle					1.0 ... 20	R286-08E
								2.0 ... 35	R286-08F
								3.0 ... 50	R286-08G

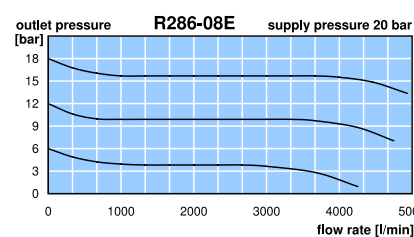
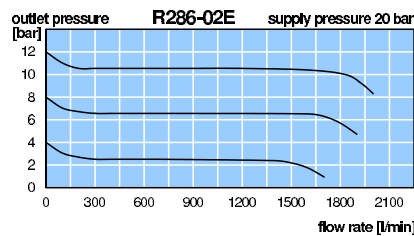
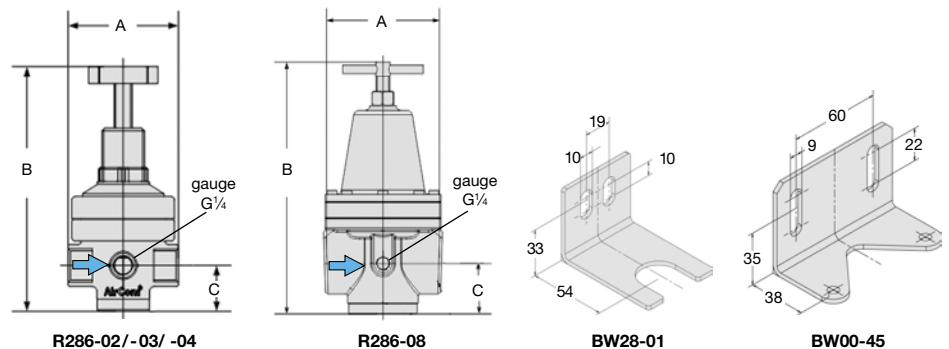


Special options, add the appropriate letter

non-relieving without relieving function, for liquids R286-0 . . K

Accessories, enclosed

pressure gauge	\varnothing 50 mm, 0...10 bar, G $\frac{1}{4}$	for G $\frac{1}{4}$ to G $\frac{1}{2}$	MA5002- 10
	0...25 bar, G $\frac{1}{4}$	for G $\frac{1}{4}$ to G $\frac{1}{2}$	MA5002- 25
	0...60 bar, G $\frac{1}{4}$	for G $\frac{1}{4}$ to G $\frac{1}{2}$	MA5002- 60
	\varnothing 63 mm, 0...16 bar, G $\frac{1}{4}$	for G1	MA6302- 16
	0...25 bar, G $\frac{1}{4}$	for G1	MA6302- 25
	0...60 bar, G $\frac{1}{4}$	for G1	MA6302- 60
mounting bracket	made of steel, mounting nut required	for G $\frac{1}{4}$ to G $\frac{1}{2}$	BW28-01
mounting nut	made of brass	for G $\frac{1}{4}$ to G $\frac{1}{2}$	M28x1,5M
mounting bracket	made of steel, assembly at spring cage	for G1	BW00-45



*1 at 20 bar supply pressure, 10 bar outlet pressure and 4 bar pressure drop